

UTILITY SHELF

ASSEMBLY INSTRUCTION

W O U D

THESE SHELVES HAVE BEEN DESIGNED TO BE PART CUPBOARD, PART SHELVING UNIT. THEY ARE LOW LEVEL AND COMPACT IN SIZE, WITH AN UPSTAND ON 3 SIDES TO KEEP MULTIPLE ITEMS CONTAINED, YET STILL REMAIN ON DISPLAY. THEY ARE FOR ALL THE THINGS THAT WE USE EVERY DAY WITH ITEMS BEING EASILY ACCESSIBLE, CREATING DECORATION AND HELPING US CONSIDER A MINIMAL LIFESTYLE.

Rachael Heritage

RACHAEL HERITAGE

THACKERAY WEST STUDIO

TAKE CARE

**WE HAVE NOW HANDED OVER
ONE OF OUR DARLINGS TO YOU.
NOW IT IS YOURS. TAKE GOOD
CARE OF IT. YOU CAN READ THE
CARE INSTRUCTIONS FOR ALL
OUR MATERIALS AT OUR WEBSITE.**

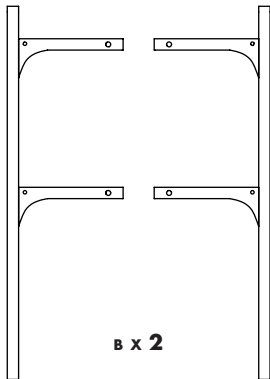
WLOUD.DK/TAKECARE

ASSEMBLY INSTRUCTION

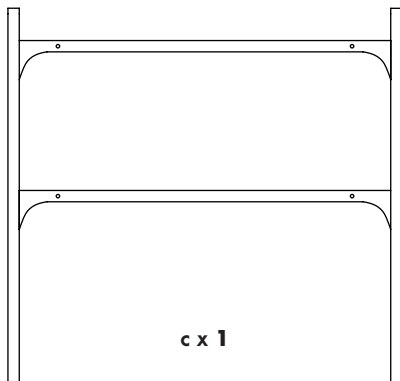
**PLEASE GO THROUGH THE FOLLOWING
STEPS CAREFULLY. RETAIN THIS MANUAL
FOR FUTURE REFERENCE TO ENSURE THAT
YOUR NEW ITEM IS CORRECTLY ASSEMBLED
IN CASE IT SHOULD BE DISASSEMBLED OR
MOVED. WE ARE NOT RESPONSIBLE FOR
ANY FAULTS OR DAMAGES CAUSED BY
NOT FOLLOWING THESE INSTRUCTIONS
CORRECTLY.**



A X 2



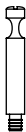
B X 2



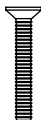
c x 1



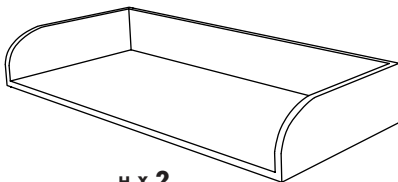
DX 8



EX 8



FX 6

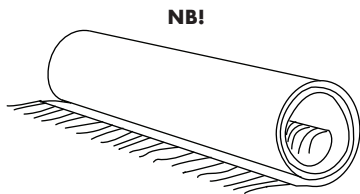
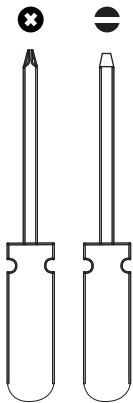


HX 2

TOOLS NEEDED

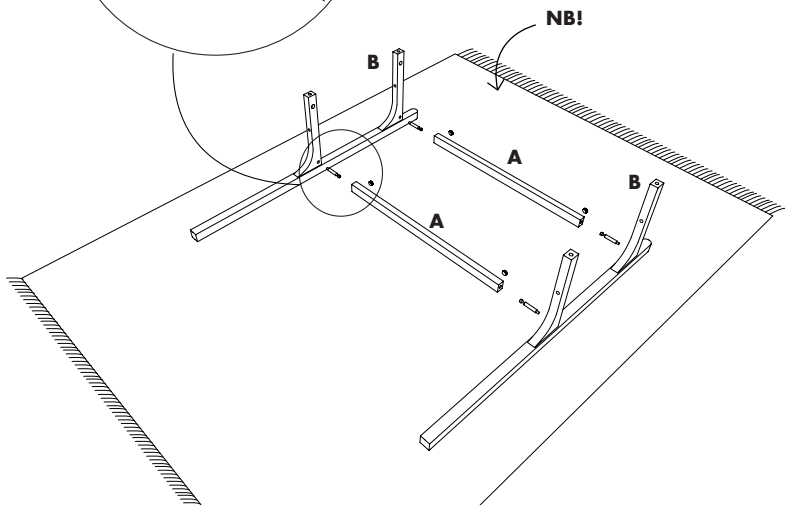
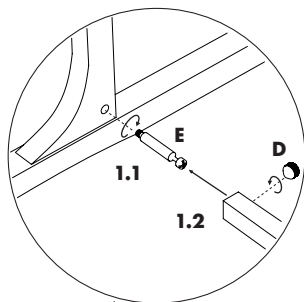
IMPORTANT!

**USE TOOLS SUITABLE FOR SCREWS. BE CAREFUL
WHEN PLACING THE PRODUCT ON THE FLOOR WE RECOMMEND TO PUT A
RUG DOWN FIRST.**



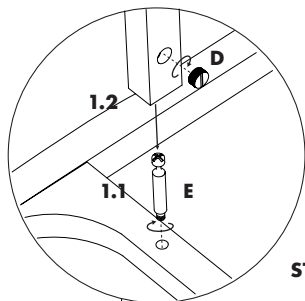
STEP 1

PLACE THE FIRST PARTS (A&B) ON A RUG AND ASSEMBLE WITH SCREWS (E&D).



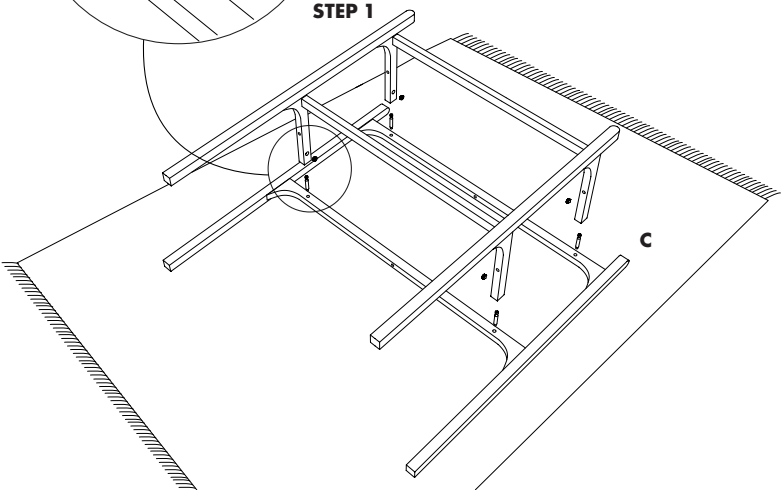
STEP 2

WHEN STEP 1 IS ASSEMBLED THEN FLIP IT AROUND AND PLACE THE NEXT PART (C)
ON THE RUG. ASSEMBLE STEP 1 TO PART (C) WITH SCREWS (E&D).



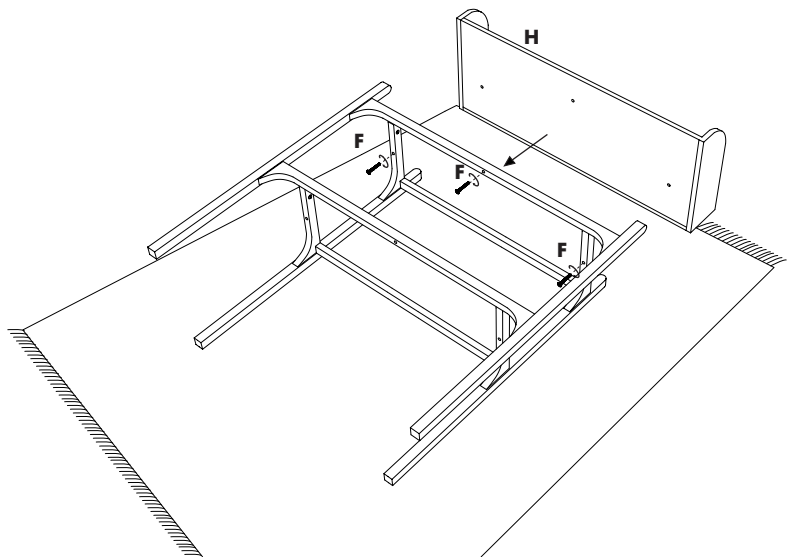
STEP 1

C



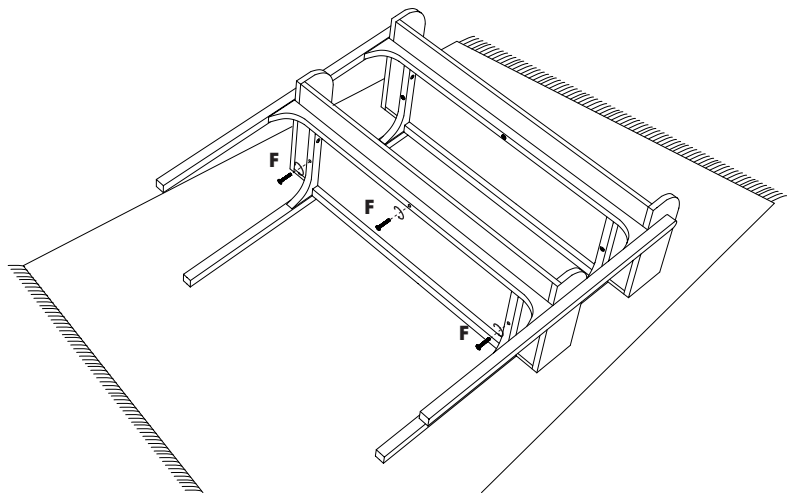
STEP 3

ONCE STEP 2 IS COMPLETE FLIP IT AROUND AGAIN AND THEN PLACE THE FIRST SHELF (H) ON THE TOP. THEN MOUNT THE SHELT WITH SCREWS (F).



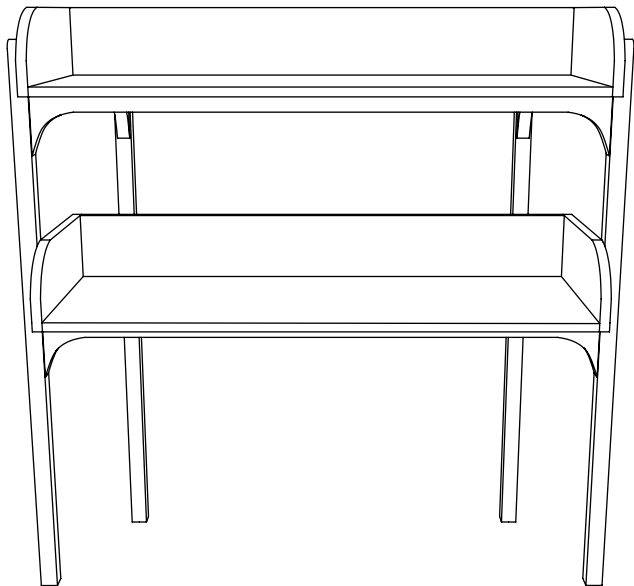
STEP 4

PLACE THE SECOND SHELF (H) AND MOUNT IT WITH SCREWS (F).



STEP 5

NOW YOU JUST NEED TO PLACE YOUR FAVORITE ITEMS
ON THE SHELVES AND ENJOY.



DESIGNED BY
RACHAEL HERITAGE
THACKERAY WEST STUDIO