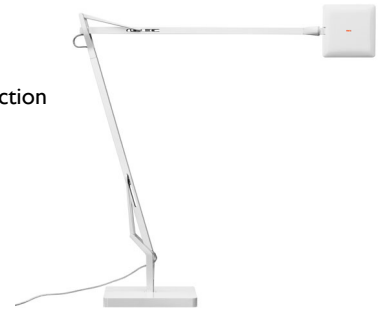


FLOS

KELVIN EDGE BASE

Mounting	Table
Lamps description	EDGE LIGHTING 2700/3200K 300lm CRI90 7W - Dimmer K selection
Environment	Indoor
Finish	White, Chrome, Black, Titanium
Technical description	Adjustable table lamp providing direct light. Aluminium painted or chromed body, with die cast head, joints and forks, and extruded arms. Diffuser in photoengraved polycarbonate and aluminate on the perimeter. Edge Lighting technology light source. Optical switch sensor placed on the head that provide 3-step dimming function and color temperature adjustment at 2700K or 3200K. Power cord length 150 cm. Plug-in power supply with interchangeable plugs.



Kelvin Edge Base

designed by Antonio Citterio

Adjustable table lamp providing direct light.

ELECTRICAL

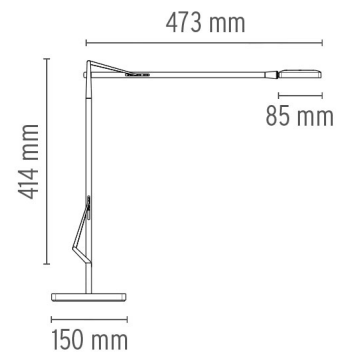
Emergency	Without
Switching	Optical switch sensor placed on the head

● F3452009	White
● F3452030	Black
● F3452033	Titanium
● F3452057	Chrome

PHYSICAL

Supply	Power cord
Construction material	Aluminum
Weight (kg)	3

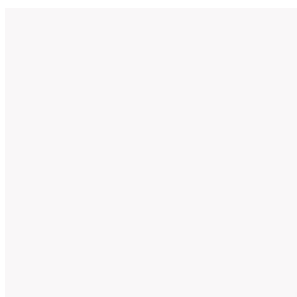
DIMENSIONS



CERTIFICATIONS



Kelvin Edge Base . Lamps



EDGE LIGHTING
2700/3200K 300lm CRI90

7W

Lamp wattage:

7 W

Lamp category:

LED

Socket:

Special base

Color temperature (K):

2700/3200 °K

Lamp type:

LED



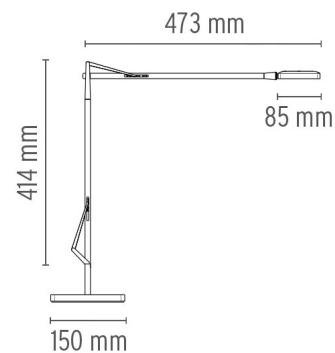
Kelvin Edge Base

designed by Antonio Citterio

Adjustable table lamp providing direct light.

- F3452009 White
- F3452030 Black
- F3452033 Titanium
- F3452057 Chrome

DIMENSIONS



CERTIFICATIONS

