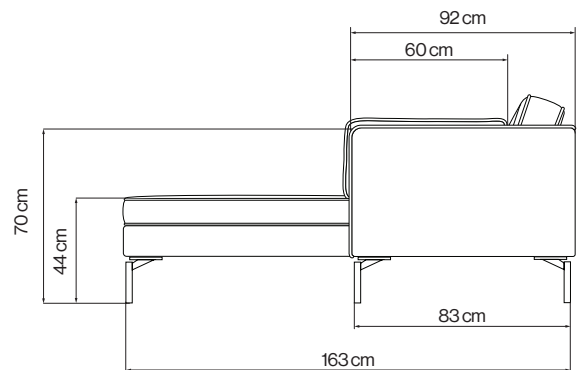
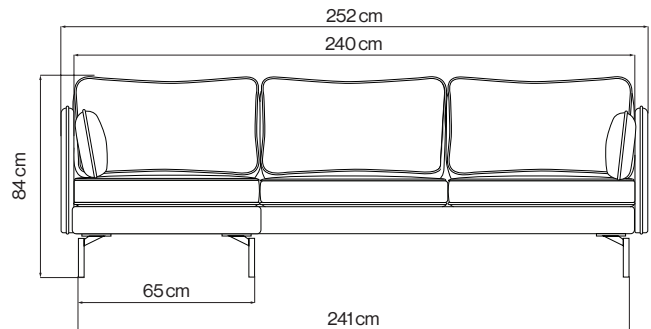


# polspotten



## Sofa PPno.2 Chaise Lounge Right / Left Fact Sheet

The PPno.2 Chaise Lounge is classic in design and comfortable no matter the angle at which you sit – it's an ideal furniture choice for medium to large lounge spaces. Available in two approachable and modern colours– beige or grey. The Smooth Bermuda fabric has a soft hand-feel, the frame is made of solid beech wood and metal, and the cushions are high resilience foam – it's a combination made to last. Qualified for contract use.



<b>Design by</b>	polspotten studio 2020
<b>About the designer</b>	This item is designed in our very own polspotten studio.
<b>Category</b>	Furniture – Sofas
<b>Environment</b>	Indoor
<b>Preassembled</b>	No, the chaise longue and legs are packed separately
<b>Material &amp; Finish</b>	<p>Frame: The frame is made of solid beech wood and Plywood with Nozag springs. The wood that has been used is carefully dried to prevent it from cracking.</p> <p>Legs: The legs are made of matt black powder-coated metal</p> <p>Back cushions: The back cushions are filled with polyester fiber balls and shredded foam.</p>
<b>Gliders</b>	Plastic gliders are mounted
<b>Upholstery</b>	<p>The PPno.2 CL series are standard available in the following upholstery:</p> <ul style="list-style-type: none"> <li>- Smooth Bermuda 84% polyester / 16% acrylic / &gt;100.000 martindale / color fastness level 5</li> </ul>
<b>Cleaning &amp; Care</b>	Care and maintenance instructions can be downloaded on the product page of this item at <a href="http://webshop.polspotten.com">webshop.polspotten.com</a> or contact your account manager for more specific cleaning & care information.
<b>Spare parts</b>	<p>The spare parts below are available upon order.</p> <ul style="list-style-type: none"> <li>- Plastic gliders</li> <li>- Back cushion</li> <li>- Seat cushion</li> <li>- Legs</li> <li>- Decorative cushion</li> <li>- Screws</li> </ul>
<b>Packaging</b>	Packed in 2 export cartons. A combination of carton, hardboard and plastic wrap. Size: 165 x 89 x 56 cm & 169 x 94 x 56cm Weight: 80 kg

### Made to Order

Non-standard fabrics or colours are made-to-order against a minimum order quantity of 10 pieces. Upholstery supplied by the customer must always be tested by us in advance to see if it can be applied to our furniture. Please contact your account manager for a specific custom made request.

### Textile use for customized upholstery

12 meters with a fabric width of 1,4 meters.

### Downloads

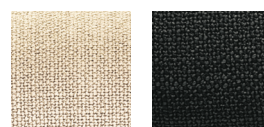
3D files, mood images and packshots are available at the product page of the item at [polspotten.nl](http://polspotten.nl)

### Test & Certifications

Smooth Bermuda fabric: Fire retardant BS5952 Source 0 cigarette proof

### Right

Smooth Bermuda  
555-020-037 555-020-046  
Beige Dark Grey



### Left

Smooth Bermuda  
555-020-047 555-020-048  
Beige Dark Grey

