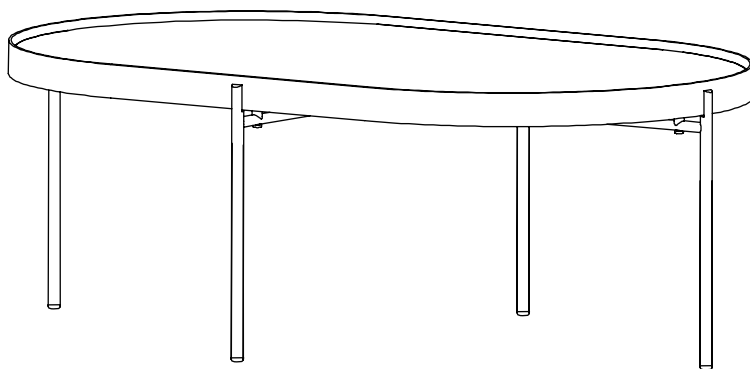


# NoNo Table

by Norm Architects &  
Note Design Studie



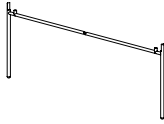
MENU

# Components

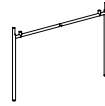
Table Top x 1



Leg x 1



Leg x 1



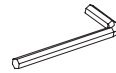
Screw (A) x 4



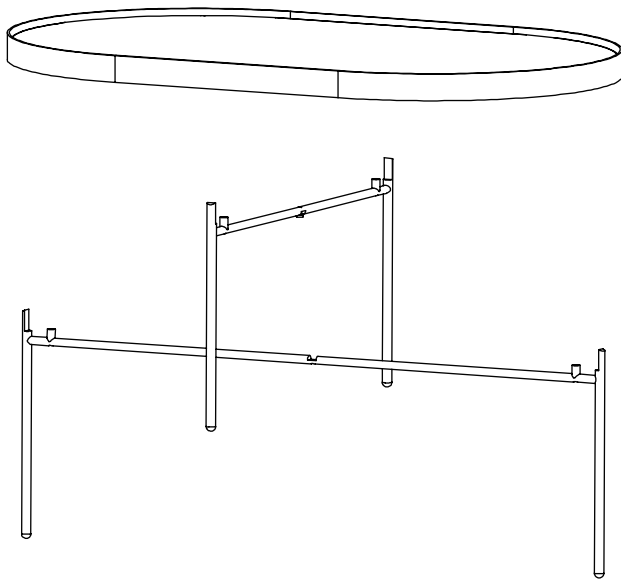
Screw (B) x 1



Allen Key x 1



# Exploded View



1

NOTE - Please ensure that all assembly is done on a soft surface, to ensure that the components will not be damaged/scratched.

