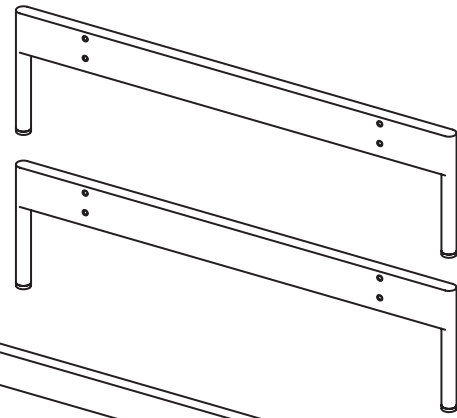


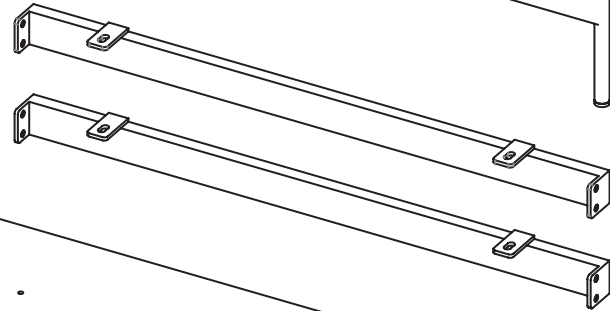
069915

① x 12

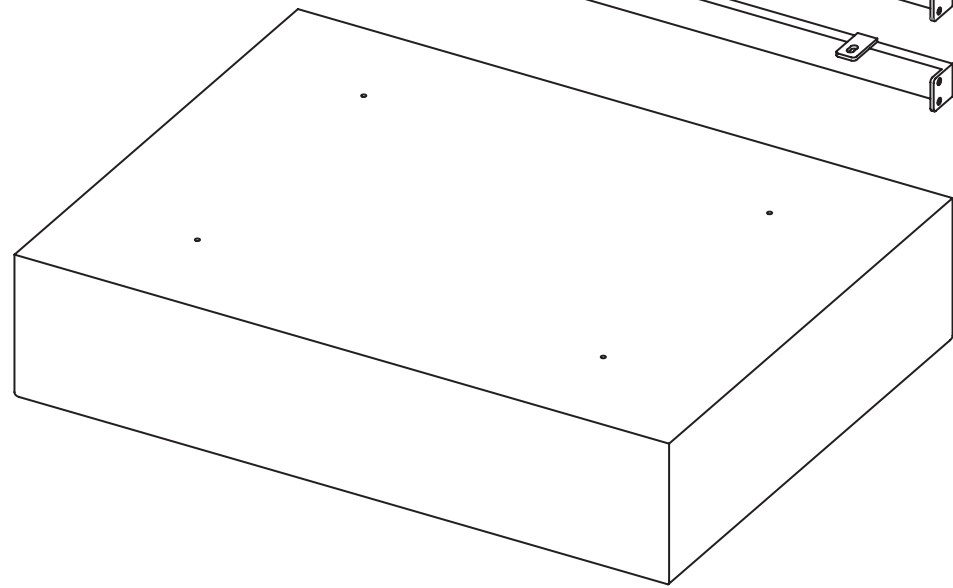
② x 1



A x 2



B x 2

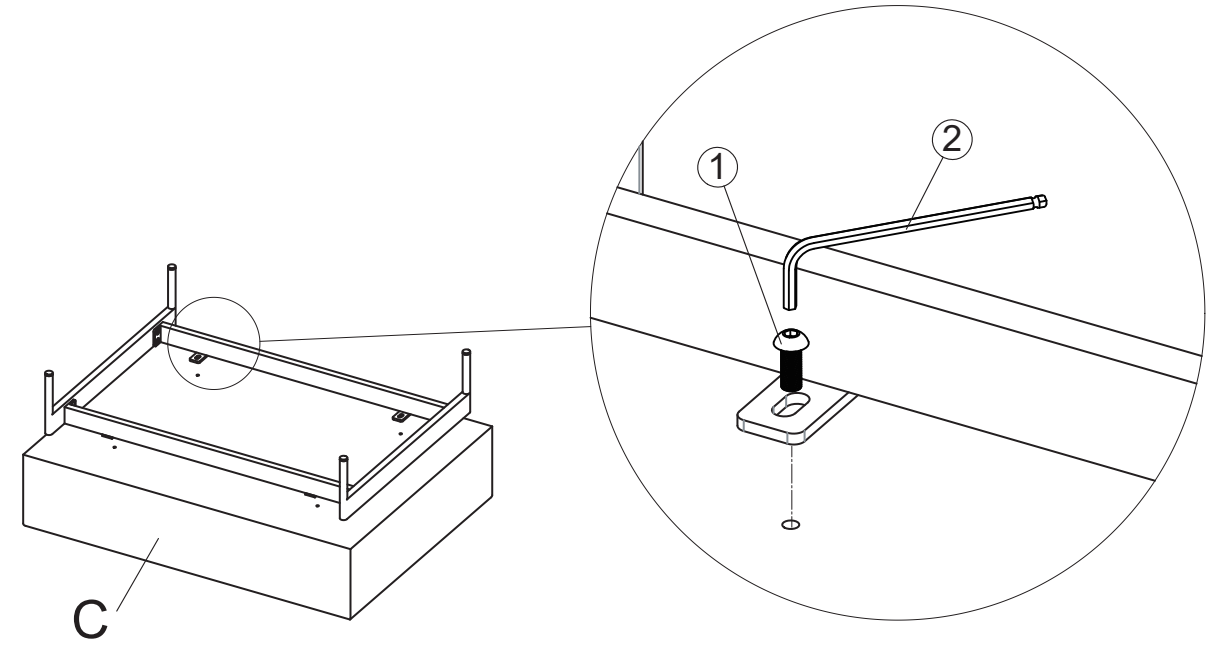


C x 1

① x 4

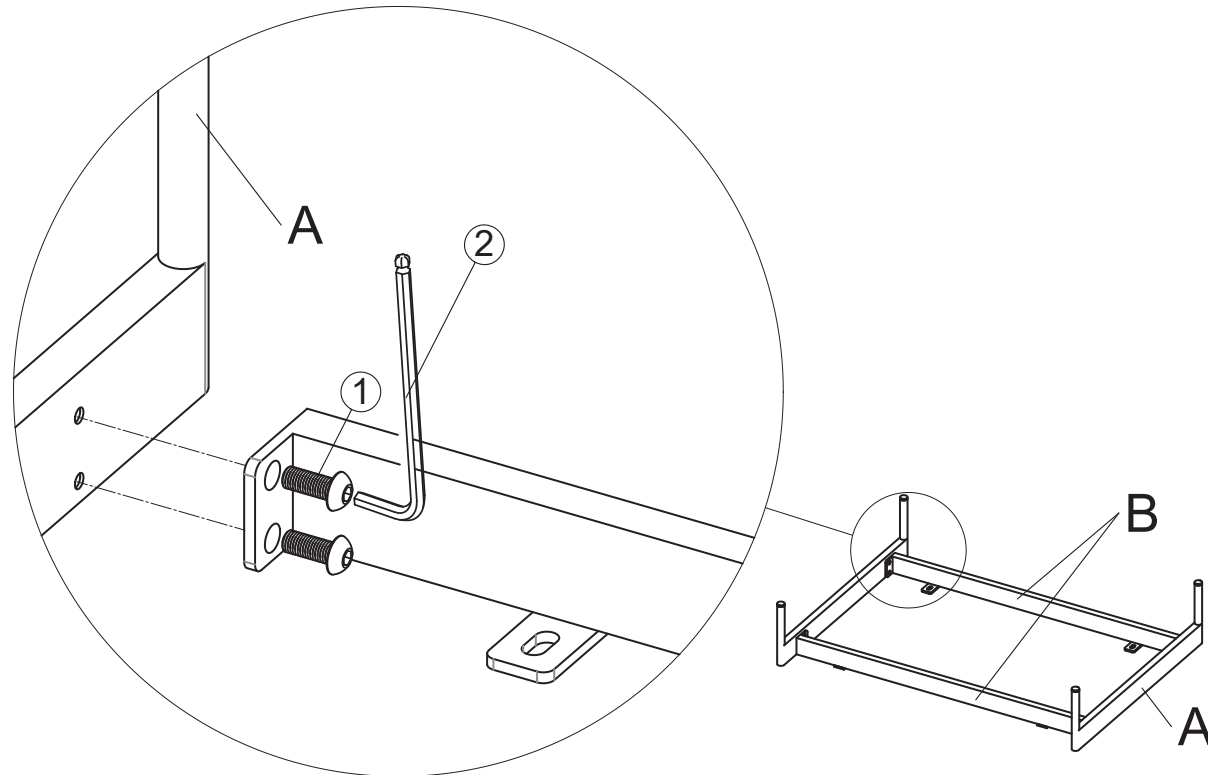


2



1

① x 8



3

