

JUT COFFEE TABLE 120x80x30

By Studio Vondom

The Jut collection was the first collection of minimalist outdoor furniture created by Vondom Studio; which was characterized by its ergonomic shapes, functionality and because it was 100% recyclable.

The different products that compose this collection: lounge, sofa, armchair, chair, armchair, tables, stools and high table, are manufactured by the rotational moulding process, with a polyethylene resin; which is a 100% recyclable.

This collection is also composed by the "Lisa" outdoor carpets, Bubbles and The Second Light lamps, which make this a complete collection for those terrace spaces in which minimalism and exclusivity are an essential.

View online: <https://www.vondom.com/products/44403>



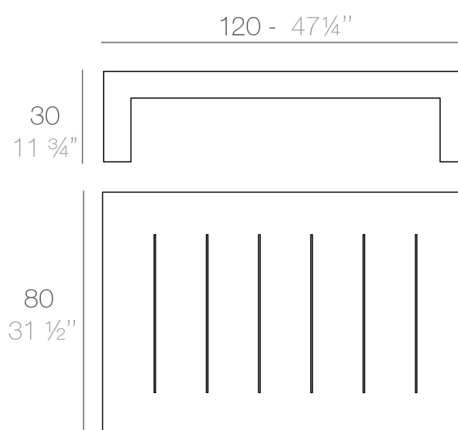
Features

Description

Made of polyethylene resin by rotational moulding. 100% Recyclable. Item suitable for indoor and outdoor use. Available in different finishes.

Weight

16 Kg



JUT Mesa Baja 120 x 80
JUT Low Table 47¼" x 31 ½"

ACABADOS

BASIC

Ref. 44403

Resina de polietileno acabado mate.

- HIELO
- BLANCO
- NEGRO
- BRONCE
- ACERO
- ANTRACITA
- ROJO
- PISTACHO
- NARANJA
- KAKI
- NAVY
- TAUPE
- PLUM
- ECRU

 BEIG

LACADO

Ref. 44403F

Resina de polietileno con un acabado lacado brillo.

- BLANCO
- NEGRO
- BRONCE
- ACERO
- ANTRACITA
- ROJO
- PISTACHO
- NARANJA
- KAKI
- NAVY
- TAUPE
- PLUM
- ECRU
- BEIG

