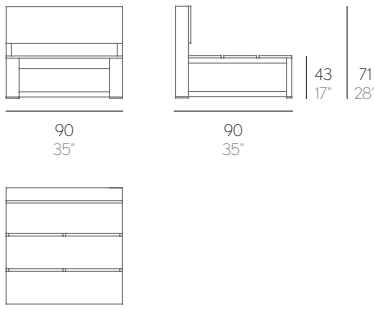


NA XEMENA

RAMÓN ESTEVE



SOFÁ MODULAR 3

Aluminio anodizado o termolacado.
Polietileno 100% reciclable.
Gomaespuma de poliuretano recubierta con tejido hidrófugo. Tapicería desenfundable.

MODUL SOFA 3

Eloxiertes oder thermolackiertes Aluminium.
100% recycelbarem Polyethylen.
Polyurethanschaum mit wasserabweisendem Stoff überzogen. Abziehbarer Bezug.

CANAPÉ MODULABLE 3

Aluminium anodisé ou thermolaqué.
Polyéthylène 100% recyclable.
Polyuréthane recouverte de tissu hydrofuge.
Tapisserie déhoussable.

Estructura. Frame. Profil. Struttura. Structure. Frame

27,58 kg - 60,68 lbs 0,75 m³ - 26,48 ft³

Colchoneta. Mat. Matratze. Materasso. Matela. Cushion

5,75 kg - 12,65 lbs

Funda protectora. Protective cover. Schutzeug.

Fodera protettiva. Housse de protection.

SECTIONAL SOFA 3

Anodized or thermo-lacquered aluminium.
100% recyclable polyethylene.
Polyurethane foam rubber covered with water-repellent fabric. Removable fabric cover.

DIVANO MODULAR 3

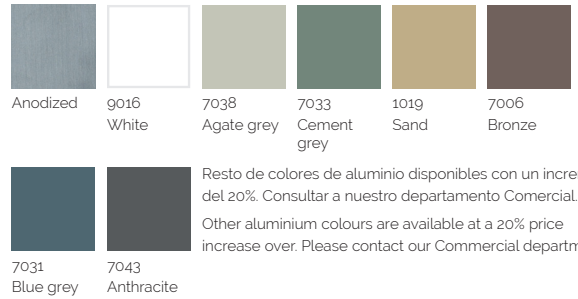
Alluminio anodizzato o termolacato.
Polietilene 100% riciclabile.
Gommapiuma di poliuretano rivestita di tessuto idrofugo. Tappezzeria sfoderabile.

SECTIONAL SOFA 3

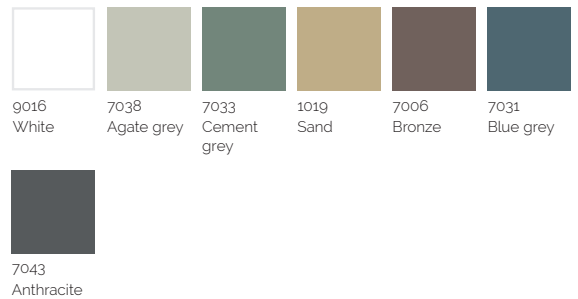
Silver or powder coated aluminium.
100% recyclable polyethylene.
Polyurethane foam rubber covered with water-repellent fabric. Removable fabric cover.

MATERIALES. MATERIALS. MATERIALEN. MATERIALI. MATERIAUX

ALUMINIUM



POLYETHYLENE



FABRICS

