

# GM 15 Pendant



Pendant

Lighting — Product Sheet  
[menu.as](http://menu.as)

by Grethe Meyer



# GM 15 Pendant



## Product Type

Pendant

## Environment

Indoor

## Dimensions (cm / in)

H: 12 cm / 4,7"

Ø: 15 cm / 5,9"

## Colours

Black (RAL 9005)

White (RAL 9016)

Brass

It is used everyday, therefore it deserves to be beautiful as well as practical. That was the philosophy of pioneering designer and architect Grethe Meyer (1918-2008), a trailblazer for women in the industry. Grethe designed for the way people live, spending hours watching and analysing before putting pen to paper. The lamp is available in two sizes. Hang one over the dining table, two smaller ones as a pair, or install together in bunches.

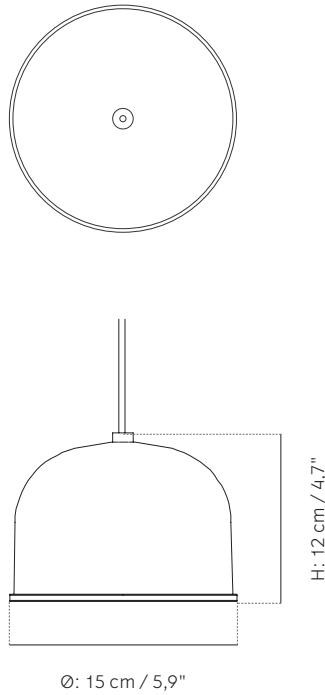
## About the Designer

Grethe Meyer is one of Denmark's most distinguished representatives of Danish industrial design. She was a designer and an architect and won numerous awards for her work.

In 1960 she founded her own architectural firm and focused her attention on everyday products for the table and kitchen. Surely something so many people use so much, day after day, deserves some extra attention? Her work process was open and creative, and because she did not always have a clear idea of what the finished product would be, she was free to look at all the details - shapes, materials and colors - over and over and over again, and then once more, until she was convinced this was the right way. Her designs always had quality, personality and respect for the user.

# GM 15 Pendant

## Technical Specifications



### Production Process

The shade are made by Stamped Steel or Brass.

### Materials

Painted Steel (Fine Texture, Matt), Solid Brass with Lacquer (Shiney).

### Weight item (kg)

0,6 kg

### Voltage (V)

220V

### Light Source & Energy Efficiency Class

E14 (Not Included), MAX 40 Watt, A++, A+, A, B, C, D

### Light Specification

Lumen, Kelvin and Ra Value depends on which bulb is used.

### Dimmer

No. The lamp can be fitted with a dimmer by a certified electrician.

### Canopy

Yes (Cone Shape), ABS, Colour according to Cord

Ø: 9 cm / 3,5" \* H: 9 cm / 3,5"

### Cord Material and Colour

Black / BrassLamp: Textile, Black

White Lamp: Textile, White

### Cord Length (cm / in)

300 cm / 118,1"

### Classification

CE and IP20

### Certifications

N/A

### Packaging Type

Brown Box

### Packaging Measurement (H \* W \* D)

16,5 cm \* 16 cm \* 16 cm

### Care Instructions

Use a soft dry cloth to clean. Do not use any cleaners with chemicals or harsh abrasives. Avoid using water.

# GM 15 Pendant



Black  
1510539



White  
1510639



Brass  
1510839