

# Daphne Terra



Design: Tommaso Cimini, 2013



Floor standing lamp of metal with an articulated pivoting arm, the head can rotate 360°. The light source is a 9 W-LED controlled by a switch which can be set in ways: on/half light/off or stepless dimmer.

## Finishing

### Standard



Black soft touch  
cod. 02L01ST00



Matt white  
cod. 02L02OP00



Brushed nickel  
cod. 02L4400

### Special



Matt red  
cod. 02L03OP00



Matt yellow  
cod. 02L05OP00



Metallic bronze  
cod. 02L29MT00

All RAL coating and galvanic finishes available upon request

## Light emission

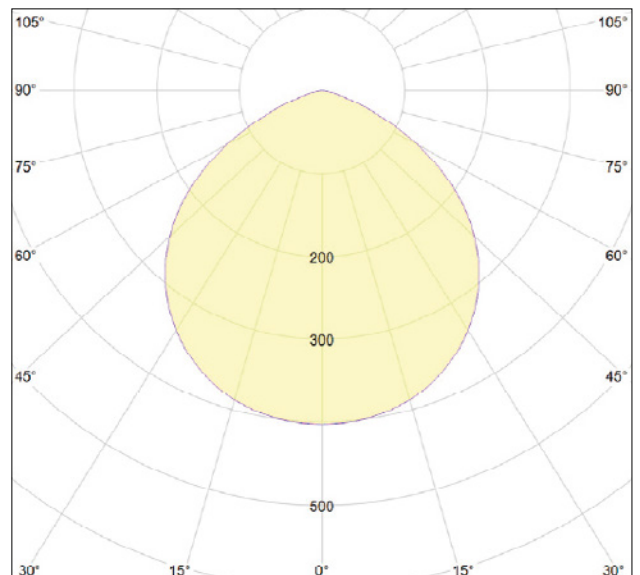
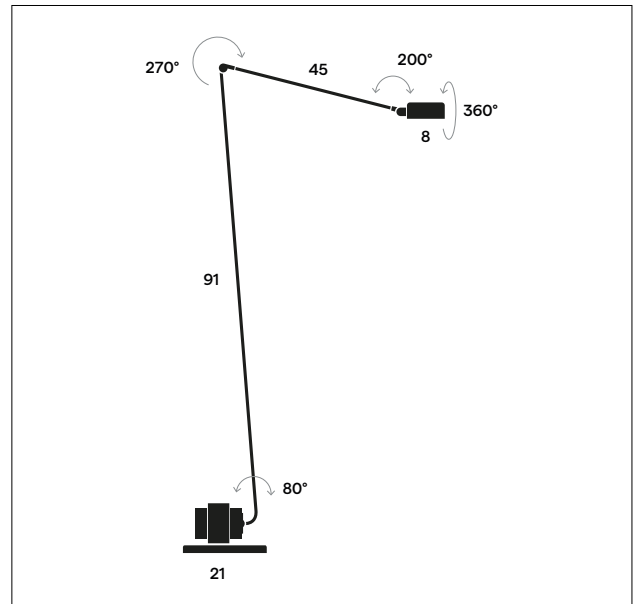
- Light emission: diffuse
- Light direction: downlight
- Light source: led board
- Source flux: 800 lm
- Emitted flux: 643 lm
- Efficacy: 64,3 lm/W
- CCT: 3000K
- CRI index: >95
- LLMF: 50000 h L70

## Electrical Facts

- Source power: 9W
- Power absorption: 10W
- Stand-by absorption: < 1 W
- Grid voltage: 100 – 240 V AC / 50-60 Hz
- Power supply: multiplug AC-DC converter provided
- Dimmability: internal push dimmer – 2 ways dimming
- Energy class: A++

## Technical data

- Environment: indoor
- Placement: floor
- Net weight: 4,1 Kg
- Certifications: CE
- Suggested ambient T: 25°C
- Maximum ambient T: 40°C
- Insulation class: III
- Protection class: IP20



Packaging  
cardboard box  
109 x 14 x 22 (cm)  
0,034 m<sup>3</sup>

Gross weight  
5,2 Kg

# Daphne Terra



Design: Tommaso Cimini, 2013



Floor standing lamp of metal with an articulated pivoting arm, the head can rotate 360°. The light source is a 9 W-LED controlled by a switch which can be set in ways: on/half light/off or stepless dimmer.

## Finishing

### Standard



Black soft touch  
cod. 02L01STK27



Matt white  
cod. 02L02OPK27



Brushed nickel  
cod. 02L44K27

### Special



Matt red  
cod. 02L03OPK27



Matt yellow  
cod. 02L05OPK27



Metallic bronze  
cod. 02L29MTK27

All RAL coating and galvanic finishes available upon request

## Light emission

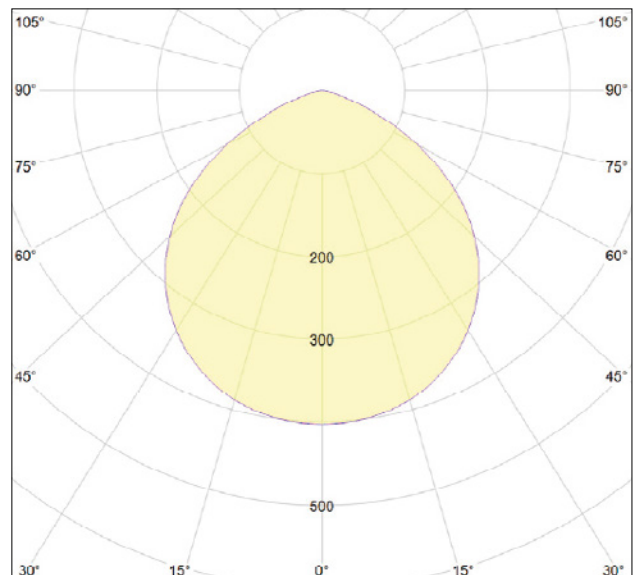
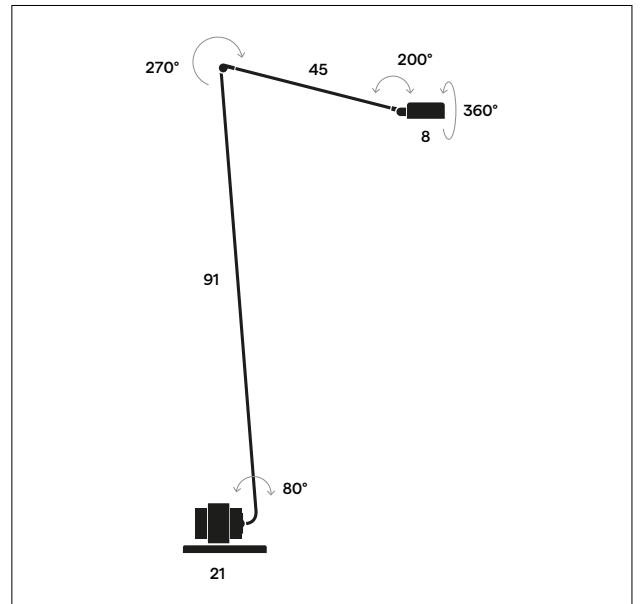
- Light emission: diffuse
- Light direction: downlight
- Light source: led board
- Source flux: 775 lm
- Emitted flux: 622 lm
- Efficacy: 62,2 lm/W
- CCT: 2700K
- CRI index: >95
- LLMF: 50000 h L70

## Electrical Facts

- Source power: 9W
- Power absorption: 10W
- Stand-by absorption: < 1 W
- Grid voltage: 100 – 240 V AC / 50-60 Hz
- Power supply: multiplug AC-DC converter provided
- Dimmability: internal push dimmer – 2 ways dimming
- Energy class: A++

## Technical data

- Environment: indoor
- Placement: floor
- Net weight: 4,1 Kg
- Certifications: CE
- Suggested ambient T: 25°C
- Maximum ambient T: 40°C
- Insulation class: III
- Protection class: IP20



Packaging  
cardboard box  
109 x 14 x 22 (cm)  
0,034 m<sup>3</sup>

Gross weight  
5,2 Kg