

# LIGHT·POINT

## INSTRUCTION MANUAL

MOOD 3

Code 261070-261071-261072-261073-261074

INPUT: 220-240V ~ 50/60Hz CLASS I ⊕

LAMP-HOUSE: LED-35x0.3W / LED-2x16W

MATERIAL: ALUMINIUM



### INSTALLATION INSTRUCTION

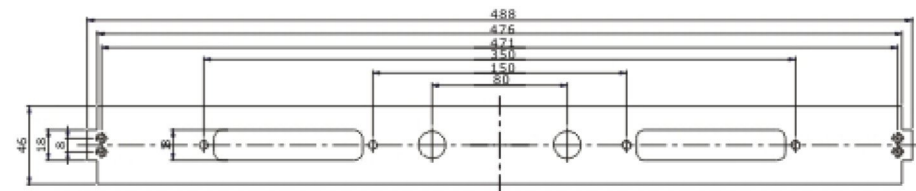
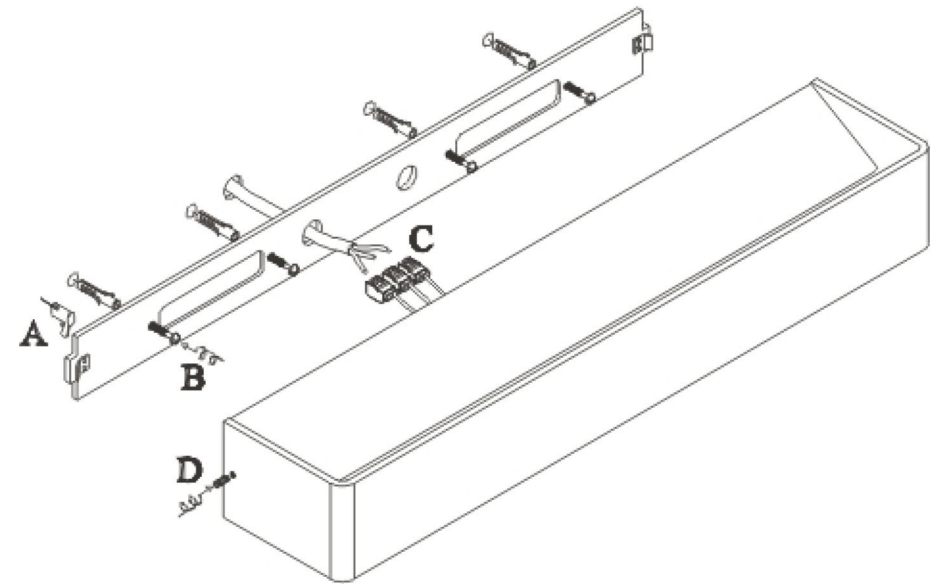
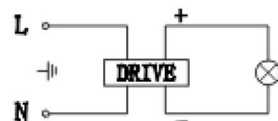
1. Before installing, make sure the power supply is switched off.
2. Follow the steps as the figure for installation
  - A. after drilling, pull out the wires.
  - B. fix the mounting bracket onto the wall with screws.
  - C. connect the wires to the terminal block.
  - D. fix the fixture to the mounting bracket with screws.
3. After finishing every step, tighten the screws, have the fixture fixed, and then connect the power supply.

### CLEANING INSTRUCTION

1. Before cleaning, ensure that the power supply is switched off.
2. Use only a soft cloth to clean the lamp, dampened with mild cleanser if needed for resistant dirt.
3. Warning: do not use alcohol or other solvents.

### CAUTION:

In case of any doubt, please contact the qualified electrician.



NOTE: THIS PRODUCT MUST BE INSTALLED ACCORDING TO LOCAL LAWS AND REGULATIONS!

[www.light-point.eu](http://www.light-point.eu)