

STORIES | SHELVING

Designed by Søren Ravn Christensen



DIMENSIONS (H x W x D)

Stories: 147.8 x 110 x 35 cm / 58.2 x 43.3 x 13.8"

Trays: 13 x 25 x 35 cm / 5 x 9 x 13.8"

10 x 25 x 35 cm / 4 x 9 x 13.8"

7 x 30 x 35 cm / 3 x 12 x 13.8"



MATERIAL

Stories: Solid oak, MDF and steel

Trays: Solid oak, particle board and venetian cane



WEIGHT

25 kg / 25.3 lb



WEIGHT INCL. PACKAGING

27.5 kg / 60.6 lb



MAX LOAD

20 kg / 44 lb (per shelf)



PACKAGING DIMENSIONS (L x W x H)

118 x 42 x 15.5 cm / 46 x 16.5 x 6.1"



ASSEMBLY TIME

15-20 min



MEDIA KIT

Photos and press material

Download at umage.presscloud.com



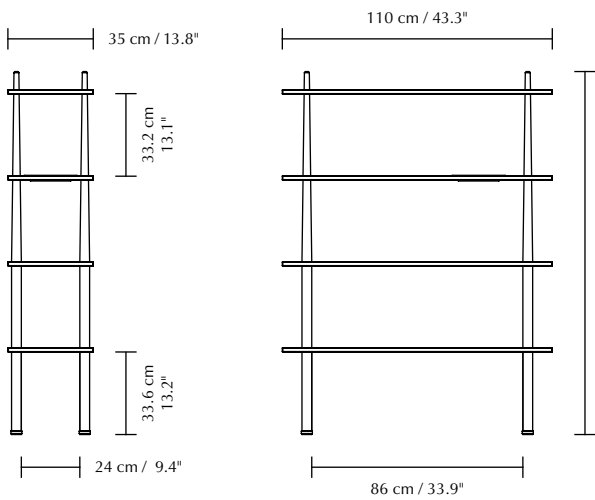
ORDERING INFORMATION

Stories oak

#5621C5621-4

Stories dark oak

#5773C5773-4



Colour variations



oak



dark oak



STORIES | SHELVING

Designed by Søren Ravn Christensen



Stories is a flexible shelving unit, where you can put the things you love the most on display and share your life stories. Stories consists of 4 shelves, where one has a hole with a brass plate for your small bits and bobs. The shelving unit also comes with three wooden trays that has a venetian cane front making it easy to beautifully hide away your messy stuff. Stories can be expanded to the size you need and personalized with the several shelving accessories, including a glass bowl, extra storage trays and a side table.

Stories is made from oak and has a simple visual attraction with its four conical legs that creates an agile and dainty appearance. The shelving system comes with four brass feet that can be adjusted and levelled to the slanting floors often seen in the old apartments of Copenhagen

Find more info on our website umage.com

RECOMMENDED ACCS.

Bowl	#5413
Extra Shelf	#5621-1 / #5773-1
Extra Shelf with hole	#5621-2 / #5773-2
Round Corner Table	#5621-3 / #5773-3
Trays	#5621-4 / #5773-4



STORIES | SHELVING

Designed by Søren Ravn Christensen

Stories shelving, oak

