

TECHNICAL DATA

- Max. charge voltage of battery: 5.8V
- Max. charging current: 800mA.
- Max. discharge current: 700mA.

COLOUR TEMPERATURE | 2800K, Warm White.

FITTING TYPE | Integrated LED
POWER (W) | 3.7 W

When the light source reaches its end of life, the whole luminaire should be replaced.

The expected lifespan of the LED module is 50,000 hours.

This product is supplied with an integrated LED module (2800K warm white, 110 lumens)

Before removing the battery, make sure that the lamp is not plugged into a power source. Please read all instructions before installing the lamp.

NOTE | This equipment has been tested and found to comply with the limits for a Class B digital device, pursuant to part 15 of the FCC Rules. These limits are designed to provide reasonable protection against harmful interference in a residential installation. This equipment generates, uses and can radiate radio frequency energy and, if not installed and used in accordance with the instructions, may cause harmful interference to radio communications. However, there is no guarantee that interference will not occur in a particular installation. If this equipment does cause harmful interference to radio or television reception, which can be determined by turning the equipment off and on, the user is encouraged to try to correct the interference by one or more of the following measures:

- Reorient or relocate the receiving antenna.
- Increase the distance between the equipment and receiver.
- Connect the equipment to an outlet on a different circuit to the one the receiver is connected to.
- Consult the dealer or an experienced radio/TV technician for help.

CAUTION | Changes or modifications to this unit not expressly approved by the party responsible for compliance could void the user's authority to operate the equipment. This device complies with part 15 of the FCC Rules. Operation is subject to the following two conditions:

- This device may not cause harmful interference.
- This device must accept any interference received, including interference that may cause undesired operation.

- GENERAL INFORMATION -

- CARE & MAINTENANCE -

Our Care & Maintenance offers guidance for optimal maintenance of your HAY product. It includes advice and instructions on cleaning and caring for specific materials to prolong the life of your lighting.

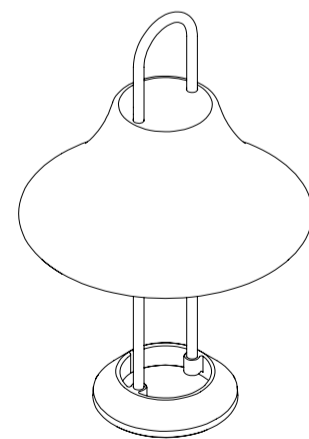


Please find our Care & Maintenance guide by scanning the QR code



You can find more relevant information on Mousqueton by scanning the QR code

You can also find the same information here hay.dk/downloads



Havnen 1 8700 Horsens Denmark
 +45 4282 0282 / hay@hay.com

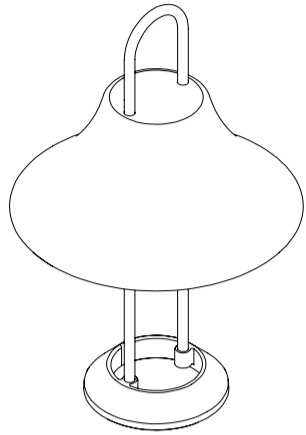
www.hay.com

DESIGN BY INGA SEMPÉ

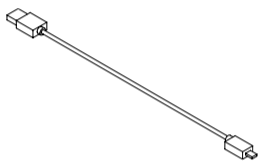
HAY

HAY

- PARTS -



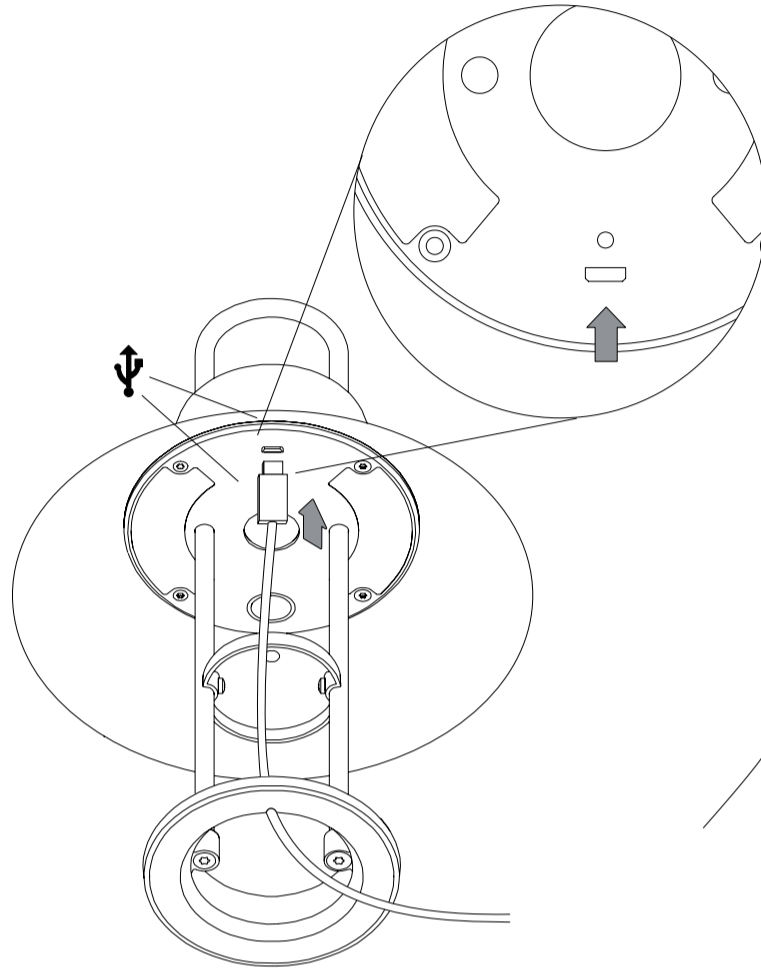
Lamp



USB Power Cable

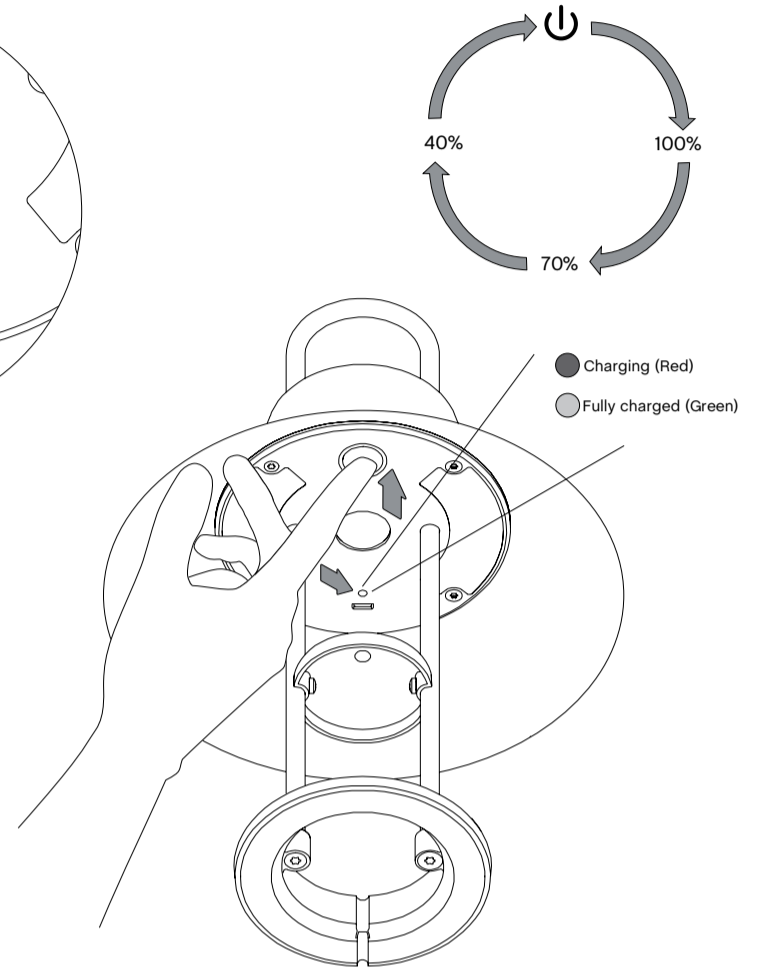
1.

To charge the battery, insert the USB charger into the USB port on the bottom of the lampshade and connect the cable to a power supply. When the battery is charging, the light on the bottom will show red. When the battery is fully charged, the light will show green. The lamp can be used while charging, however this will extend the required charging time for full capacity.



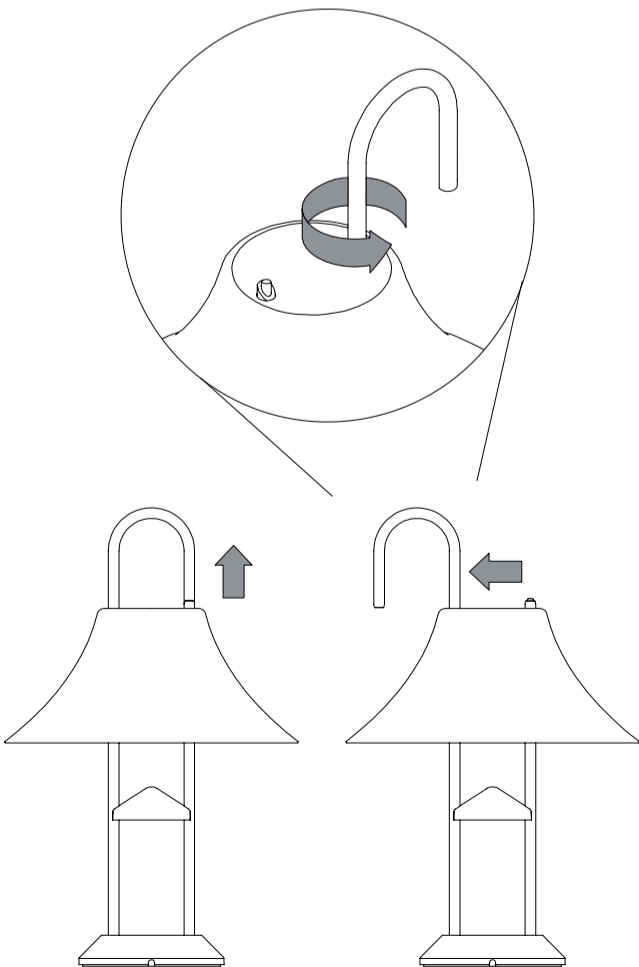
2.

To turn the lamp on, touch the round button on the bottom of the lampshade. The lamp has a three-step dimmable feature. First push sets it to maximum brightness, second push to medium brightness and the third push to lowest brightness. Fourth push turns the lamp off.



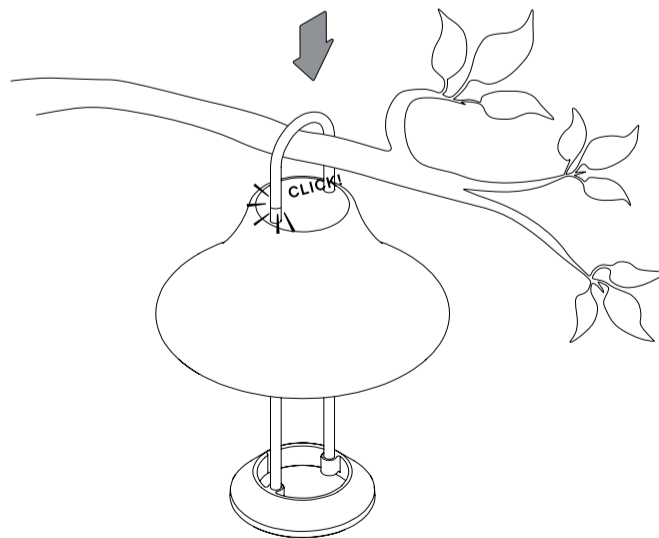
3.

The carabiner handle can be opened and closed by lifting the carabiner up and twisting it gently 180 degrees.



Suggestions for use

The carabiner can be used to hang the lamp, to create a cosy atmosphere in your garden, as shown below.



Suggestions for use

The Mousqueton Portable Lamp can also be balanced on a stick as shown below..

