

Pirellone

FontanaArte spa reserves the right to make changes on this document and on the products here described without any prior notice.

Copyright © 2008 FontanaArte spa. All rights reserved.

It is forbidden to modify the present document, even partially, without a prior written authorisation by FontanaArte spa.

COMPANY:

PROJECT:

DATE:

PRODUCT NAME: Pirellone

CODE NUMBER: 2758

COLLECTION: FontanaArte

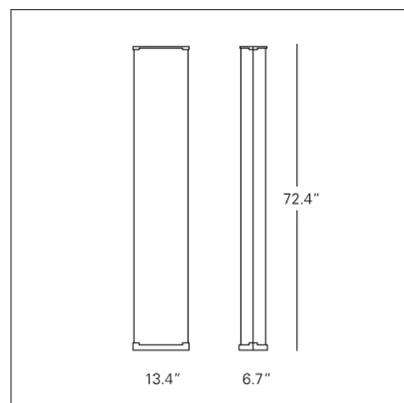
TYPE: Floor

DESIGNER: Gio Ponti

PRODUCTION YEAR: 1967

Floor lamp with dimmer. Diffused and indirect double light emission. Frame in satin nickel-plated brass. Diffusers in pressed and curved glass.

FontanaArte



Light source: 10x50W T4 Bi Pin GY6,35 (HA) + 1x300W T3/L Double Ended R7s - long (HA)