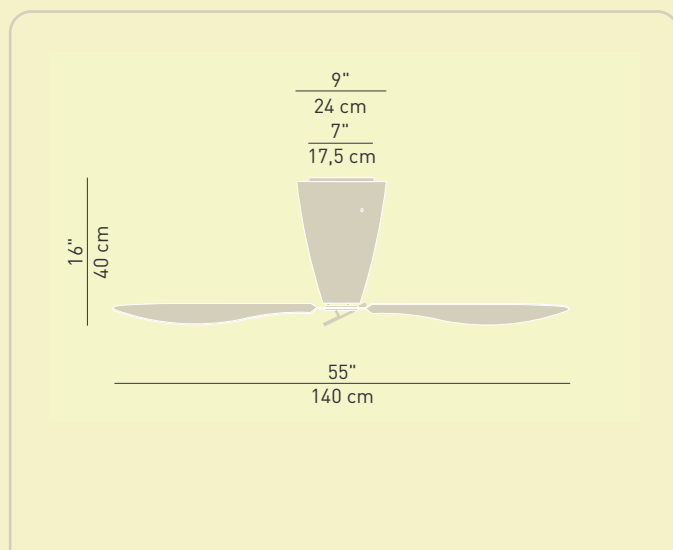


## ceiling



D28 Hd (dimmer)	D28 F
max 150W HSGST E27 max 150W IAA E27	26W FSM GX24d-3
weight 4,720 Kg	weight 5,220 Kg

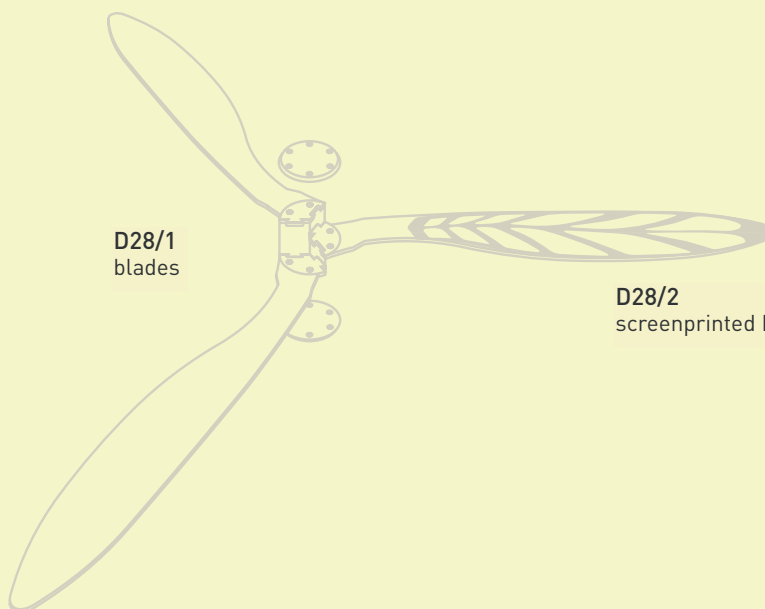


three rotation speeds

control for reversing  
blade rotation

D28/1  
blades

D28/2  
screenprinted blades



## materials

polycarbonate diffuser methacrylate blades

## structure finishes

white opal

## blades

## screenprinted blades

transparent	green	blue	orange	transparent	green	blue	orange			