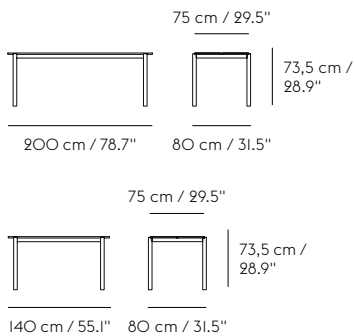




LINEAR STEEL TABLE

THOMAS BENTZEN ON THE DESIGN “The Linear Steel Series was designed from the idea of presenting durable materials in a sophisticated and understated expression for outdoor use with its form language inspired by the notion of meetings—the meetings of lines, the meetings of shapes and the meetings of materials. The design is defined by its straight lines for a contemporary yet timeless aesthetic through the details of its folded edges, half-circular intersecting legs and small spacing for easy outflow of water. It is through these subtle elements that the Linear Steel Series translates the values of elegance, longevity and functionality into modern outdoor furniture.”



DESIGNED BY / YEAR OF DESIGN

Thomas Bentzen / 2019

ABOUT THE DESIGNER

Thomas Bentzen is a Copenhagen-based designer, working to infuse his designs with a refined simplicity. His studio was founded in 2010, creating designs that have received international recognition at fairs and exhibitions all over the world.

CATEGORY

Outdoor Furniture

ENVIRONMENT

Outdoor

COUNTRY OF PRODUCTION

Sweden

PREASSEMBLED

No

DESCRIPTION

The Linear Steel Series brings new perspectives to modern outdoor furniture through its straight lines alongside the folded edges, half-circular intersecting legs and small spacing for easy removal of water. Kept visually clean for long-lasting aesthetics, the Linear Steel Series finds its distinct character through subtle detailing and a simple expression, allowing for it to complement any outdoor setting. The design is made in powder coated steel for a matte look and contemporary feel.

MATERIAL

Frame and table top are made from welded steel with a weather-resistant deep matt powder coated finish. Table top is hot-dip galvanized while legs are aluzinc treated, making them suitable for outdoor use. Legs come with plastic glides.

CLEANING AND CARE

Clean the table with a damp cloth. If necessary use a mild detergent or washing up liquid and not concentrated. Always wipe with a dry cloth afterwards. To minimize the risk of stains and marks, liquids, grease etc. should be removed straight away.

TEST & CERTIFICATIONS

EN 15372:2016 - L3: Extreme use Furniture – Strength, durability and safety – Requirements for non-domestic tables

EN 581-1:2017 - Part I: General safety requirements

Outdoor furniture – Seating and tables for camping, domestic and contract use

EN 581-3:2017 - Part I: Mechanical safety requirements for tables.

Outdoor furniture – Seating and tables for camping, domestic and contract use